

# Rania D2 Fixture

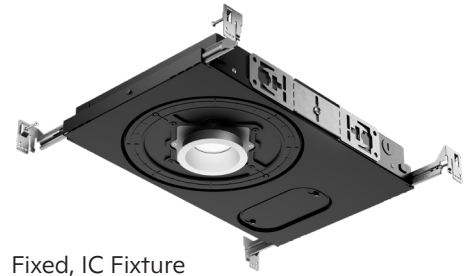
## PRODUCT DESCRIPTION

Rania D2 recessed LED downlights are available in fixed, adjustable, and wall-wash options to complete any lighting design project.

## FEATURES

**Exceptional White Light**—Rania leverages a breakthrough three-channel solution, paired with proprietary optics and state of the art color mixing technology to deliver a wide CCT range and replicates natural white light more faithfully than any light source other than Ketra.

**Natural Show**—The Rania fixtures’ wide color temperature range and native control enables it to participate in Lutron’s Natural Show. Natural show automatically adjusts the intensity and color temperature of the light over the course of the day. It can be used to bring the outside in by matching outdoor light - from the cool bright light at noon to the warm lower light in the evening.



Fixed, IC Fixture



Adjustable, IC Fixture

## OPTIONS

	Round Bevel	Square Bevel	Round Pinhole	Square Pinhole	Round Wall Wash	Square Wall Wash
Flanged						
Flangeless Mud-In						
Flangeless Millwork						

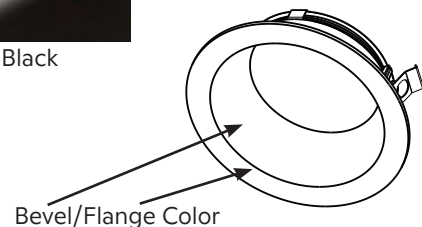
### Flanged Trim Finish Options

White	Black	Silver	Bronze	Silver / White	Black / White	Gloss Black / White

### Flangeless Trim Finish Options

White	Black	Silver	Bronze	Gloss Black

Two-Tone Paint



## SPECIFICATIONS<sup>1</sup>

### Optical Performance

Delivered Lumens <sup>2</sup>	
Beam Angle	<b>18 W</b>
15° beam, high output	<b>1161 lm</b>
25° beam, high output	<b>1151 lm</b>
40° beam, high output	<b>1078 lm</b>
60° beam, high output	<b>1018 lm</b>
15° beam, low glare	<b>1018 lm</b>
25° beam, low glare	<b>1040 lm</b>
40° beam, low glare	<b>884 lm</b>
60° beam, low glare	<b>856 lm</b>
CRI (Ra) R9	<b>&gt;90 from 2,700K to 5,000K &gt;90</b>
Lumen Maintenance <sup>3</sup>	<b>50,000 hours to L70 @ 25 °C T<sub>A</sub></b>
CCT Range	<b>1800K - 5500K,</b>
Dimming Protocol	<b>Wireless RF/CCX (Lutron Clear Connect-Type X)</b>
Dimming Range	<b>0.1-100%</b>
Delivered Efficacy	
Beam Angle	<b>18 W</b>
15° beam, high output	<b>65 lm/W</b>
25° beam, high output	<b>64 lm/W</b>
40° beam, high output	<b>60 lm/W</b>
60° beam, high output	<b>57 lm/W</b>
15° beam, low glare	<b>57 lm/W</b>
25° beam, low glare	<b>58 lm/W</b>
40° beam, low glare	<b>49 lm/W</b>
60° beam, low glare	<b>48 lm/W</b>

### Environmental

Ambient Temperature	<b>32 – 104 °F (0 – 40 °C)</b>
Extended Ambient Temperature	<b>-32 – 32 °F (-35 – 0 °C)<sup>4</sup></b>
Humidity	<b>0 – 95%, Non-condensing</b>
Certification	<b>UL, cUL, 120 V~: FCC Class B, IC Rated</b>
Location	<b>UL Damp Location, UL Wet Location (shower) available with Trim Lens Installation not compatible with Metal Ceilings UL2043 and CAN/ULC-S142 rated for use in air handling spaces (plenums)</b>
Outdoor/Indoor	<b>Outdoor use available for residential enclosed/covered patio applications. Trim lens required</b>
Warranty	<b>5 year fixture, LED and dimming warranty</b>

### Mechanical

Mounting Options	<b>Hanger Bars/Butterfly Brackets</b>
Field Replaceable Optics	<b>Yes</b>
Field Replaceable Light Engine	<b>Yes</b>
Field Replaceable Power Supply	<b>Yes</b>
Fixture Weight	<b>Fixed: 5.7 lb (2.59 kg) Adjustable: 6.2 lb (2.81 kg)</b>
Housing Material	<b>Pre-painted Steel, Polymer</b>
Lens Material	<b>Plastic</b>
Field Fixture Type Convertibility	<b>Adjustable Fixture can be used to achieve same features of an Adjustable and Fixed Fixture only. Fixed Fixture can only be used as a Fixed Fixture. Wall Wash Fixture can only be used as a Wall Wash Fixture.</b>

<sup>1</sup> All measurements are considered typical performance and were taken with 1 in (25.4 mm) white trim, with light engine at nadir, at 3000 K, 25 °C ambient, 100% power input, no accessory, unless otherwise stated.

<sup>2</sup> Lumen measurement complies with IES LM-79-08 testing procedures.

<sup>3</sup> Lumen maintenance values calculated in accordance to TM-21 procedures based on LM-80 compliant measurement data.

<sup>4</sup> Color accuracy not guaranteed in Extended Ambient Temperature range.

## SPECIFICATIONS<sup>1</sup> (continued)

### Dimensions

Ceiling Hole Diameter/Width	<b>3.25 in (82.55 mm) flanged; 3.75 in (95.25 mm) flangeless mud-in; 2.79 in (70.87 mm) flangeless millwork</b>
Ceiling Thickness (min-max)	<b>0.625 – 2 in (15.8 – 50.8 mm)</b>
Modular Emitter/LED Module Vertical Adjustment	<b>2.15 in (54.61 mm)</b>
Housing Vertical Adjustment via Butterfly Bracket	<b>1.75 in (44.5 mm)</b>
Trim Thickness	<b>0.050 in (12.7 mm)</b>
Adjustability	<b>Adjustable: Emitter tilt to 40 degree Emitter full 365 degree rotation Collar 95 degree rotation Wall Wash: Emitter full 365 degree rotation Collar 95 degree rotation Fixed: Collar 95 degree rotation</b>
Housing Height	<b>Adjustable: 3.48 in (88.39 mm) Fixed &amp; Wall Wash: 2.14 in (54.31 mm)</b>
Housing Length	<b>16.36 in (415.54 mm)</b>
Housing Width	<b>10.07 in (255.78 mm)</b>

### Electrical

Power Consumption	<b>18 W</b>
Power Factor	<b>&gt;0.9</b>
Inrush Current	<b>800 mA, 0.2 mS duration</b>
Surge Protection	<b>2.5 KV</b>
Voltage	<b>120 V~ 60 Hz</b>
Emergency Lighting	<b>Evaluated by UL<sup>®</sup> for use in emergency lighting systems in accordance with standard UL<sup>®</sup> 924 and CSA C22.2 No. 141 when paired with the LVS™ model LUT-SHUNT-A-TD (UL<sup>®</sup> file E206507)<sup>2</sup>.</b>

<sup>1</sup> All measurements are considered typical performance and were taken with 1 in (25.4 mm) white trim, with light engine at nadir, at 3000 K, 25 °C ambient, 100% power input, no accessory, unless otherwise stated.  
<sup>2</sup> See Lutron Application Note 106 (P/N 048106) at [www.lutron.com](http://www.lutron.com) for wiring details of emergency lighting in commercial systems.

**D2 FIXTURE**

**HOUSING ORDERING GUIDE**

Please download this PDF to use the interactive drop down features of the ordering guide.

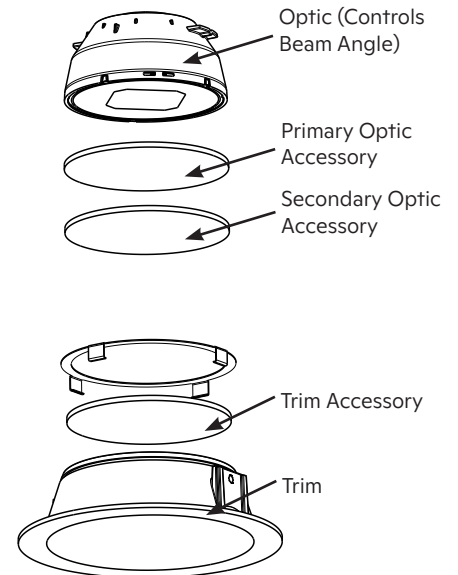
**Housing**

<b>D2-</b>		<b>TW</b>					<b>18</b>
Product Line	Series	LED Type	Fixture Type	Shape	Ceiling Interface	Ceiling Thickness	Power Consumption
<b>GT</b>							<b>11</b>
Control System	Beam Angle	Optic Style	Region/Voltage	Location	Primary Optic Accessory	Secondary Optic Accessory	

Order code: \_\_\_\_\_

Product Line	Code	Control System	Code
Commercial (Athena compatible)	<b>CM-</b>	CCX (Clear Connect-Type X)	<b>GT</b>
Residential (HomeWorks compatible)	<b>HW-</b>	<b>Beam Angle</b>	
<b>Series</b>		Spot (15°)	<b>15</b>
D2 Fixture	<b>D2-</b>	Narrow Flood (25°)	<b>25</b>
<b>LED Type</b>		Flood (40°)	<b>40</b>
Rania	<b>TW</b>	Wide Flood (60°)	<b>60</b>
<b>Fixture Type</b>		Wall Wash <sup>1</sup>	<b>WW</b>
Adjustable	<b>AD</b>	<b>Optic Style</b>	
Fixed	<b>FX</b>	Low Glare	<b>L</b>
Wall Wash <sup>1</sup>	<b>WW</b>	High Output	<b>H</b>
<b>Shape</b>		Wall Wash <sup>1</sup>	<b>W</b>
Square	<b>SQ</b>	<b>Region/Voltage</b>	
Round	<b>RD</b>	120 V~ 60 Hz, North America	<b>11</b>
No Collar (to be specified later)	<b>XX</b>	<b>Location</b>	
<b>Ceiling Interface</b>		Indoor	<b>I</b>
Flanged	<b>F</b>	Outdoor (HomeWorks Resi Products only) <sup>2</sup>	<b>O</b>
Flangeless Mud-In	<b>X</b>	<b>Primary Optic Accessory</b> <sup>3,5</sup>	
Flangeless Millwork	<b>M</b>	Soft Focus Lens <sup>3,5</sup>	<b>S1</b>
<b>Ceiling Thickness</b>		Frosted Lens <sup>3,5</sup>	<b>F1</b>
Standard Ceiling 0.625 - 1.25 in (15.9 - 21.75 mm)	<b>S</b>	Linear Lens <sup>3,5</sup>	<b>L1</b>
Thick Ceiling 1.3 - 2.0 in (33.0 - 50.8 mm)	<b>T</b>	Hex Louver <sup>4,5</sup>	<b>H1</b>
<b>Power Consumption</b>		None	<b>XX</b>
18 W	<b>18</b>	<b>Secondary Optic Accessory</b> <sup>3,5</sup>	
		Soft Focus Lens <sup>3,5</sup>	<b>S1</b>
		Frosted Lens <sup>3,5</sup>	<b>F1</b>
		Linear Lens <sup>3,5</sup>	<b>L1</b>
		Hex Louver <sup>4,5</sup>	<b>H1</b>
		None	<b>XX</b>

Optic & Trim Exploded View <sup>3</sup>



1 Wall Wash fixture is unique and cannot be converted to other fixture types and vice versa.  
 2 D2s are available for residential exterior applications only and must have a trim installed with a lens.  
 3 Maximum of 2 accessories available at once across the optic and trim accessories.  
 4 When specifying a Hex Louver no additional optic or trim accessory is allowed.  
 5 The addition of accessory lens will reduce lumen output. Additional information coming soon.



## D2 FIXTURE



P/N 3662962 Rev A  
Specifications are subject to change without notice

### TRIM ORDERING GUIDE

#### Trim

UN-	D2		
Product Line	Series		
Ceiling Interface	Aperture Profile	Trim Finish	Trim Accessory

Order code: \_\_\_\_\_

Product Line	Code
Universal	<b>UN-</b>
Series	
D2 Fixture	<b>D2</b>
Ceiling Interface	
Flanged	<b>F</b>
Flangeless Mud-In	<b>X</b>
Flangeless Millwork	<b>M</b>
Aperture Profile	
Bevel	<b>B</b>
Pinhole	<b>P</b>
Wall Wash <sup>2</sup>	<b>W</b>
Trim Finish	
White <sup>1</sup>	<b>WH</b>
Black	<b>BK</b>
Gloss Black	<b>GB</b>
Bronze	<b>RB</b>
Silver	<b>SR</b>
Silver/White	<b>SW</b>
Black/White	<b>BW</b>
Gloss Black/White	<b>GW</b>
Trim Accessory <sup>2,4</sup>	
Soft Focus Lens <sup>2,4</sup>	<b>S1</b>
Frosted Lens <sup>2,4</sup>	<b>F1</b>
Linear Lens <sup>2,4</sup>	<b>L1</b>
Clear Lens <sup>2,4</sup>	<b>C1</b>
Wall Wash Lens <sup>3,4</sup>	<b>WW</b>
None	<b>XX</b>

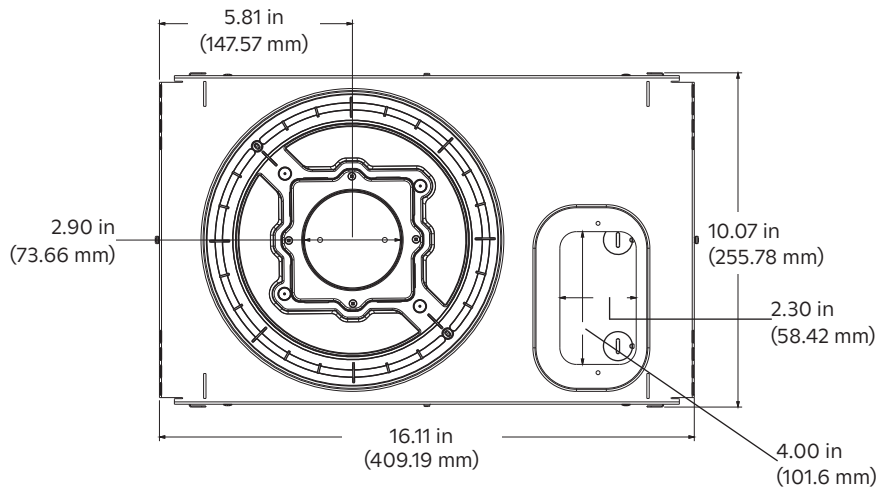
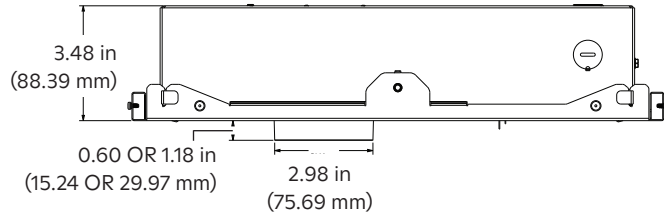
1 White finish can be used as a primer for customer selected and applied paint.  
 2 Maximum of 2 accessories available at once across the optic and trim accessories.  
 3 Wall Wash fixture is unique and cannot be converted to other fixture types and vice versa.  
 4 The addition of accessory lens will reduce lumen output. Additional information will be coming soon

**D2 FIXTURE**

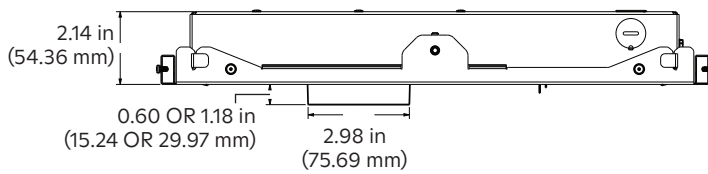
**PRODUCT DIMENSIONS**

**Flanged Housing, Round**

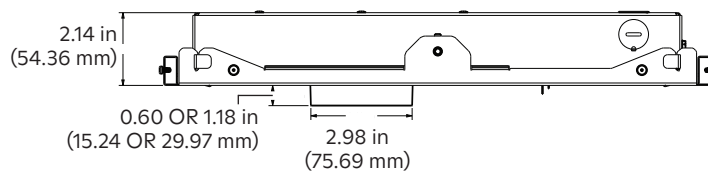
**Adjustable**



**Fixed**

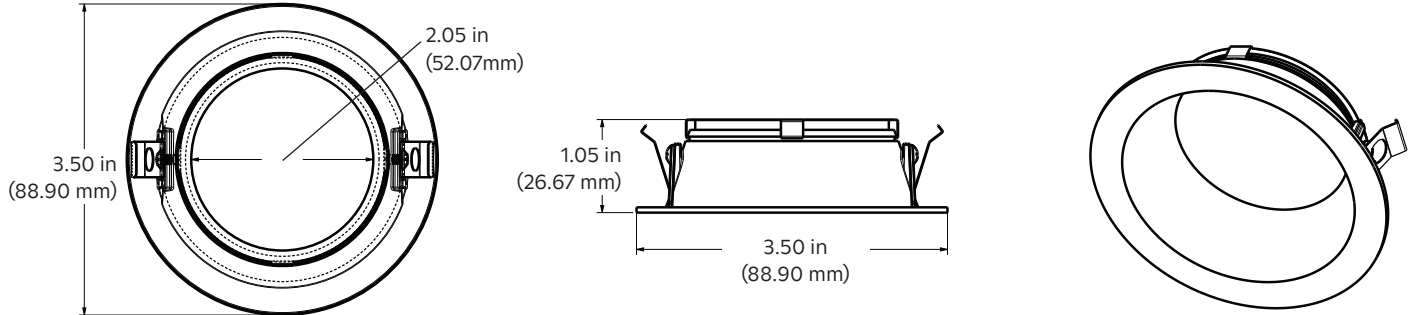


**Wall Wash**

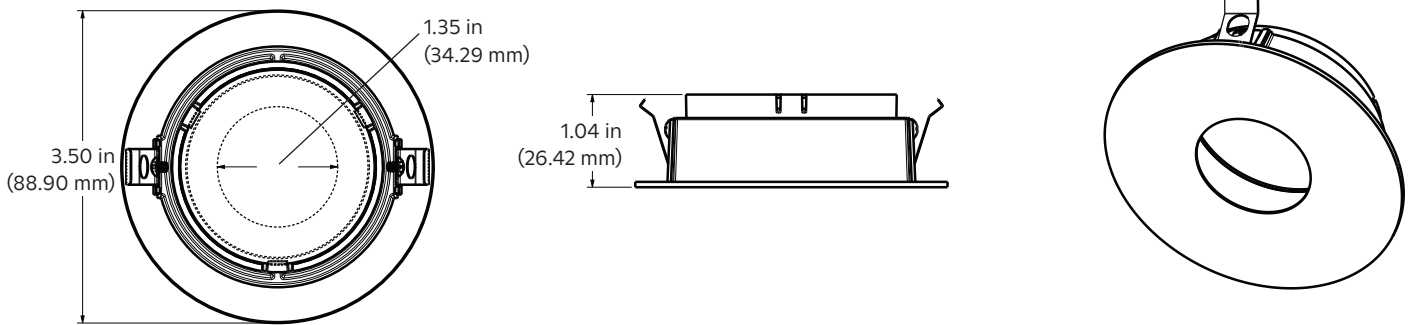


**PRODUCT DIMENSIONS (cont.)**

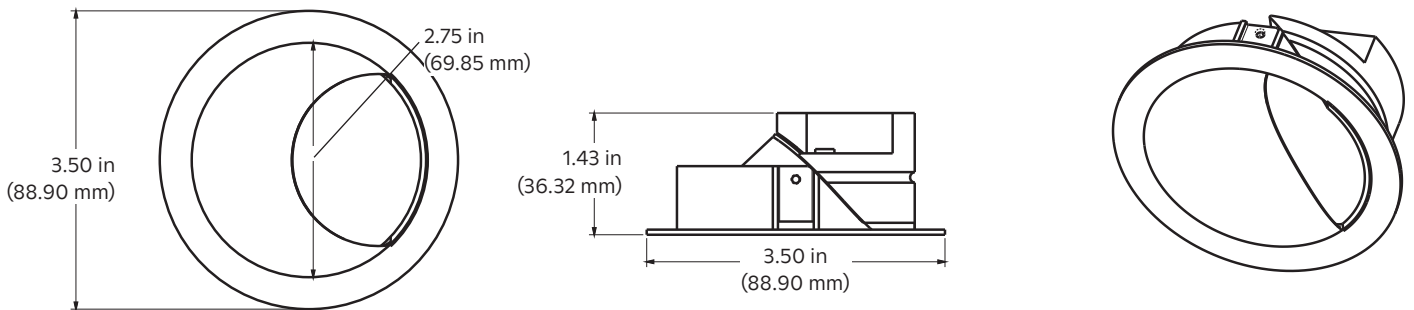
**Flanged Bevel Trim, Round**



**Flanged Pinhole Trim, Round**



**Flanged Wall Wash Trim, Round**

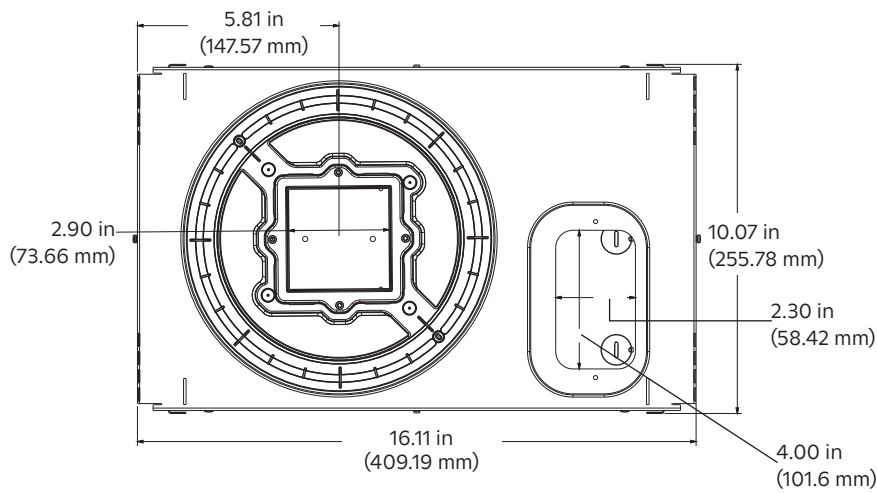
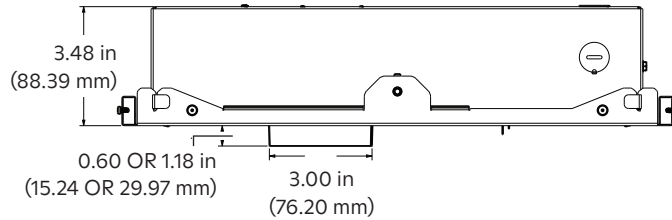


**D2 FIXTURE**

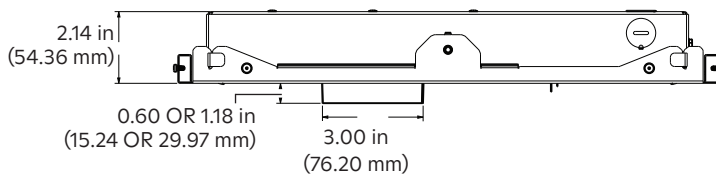
**PRODUCT DIMENSIONS (cont.)**

**Flanged Housing, Square**

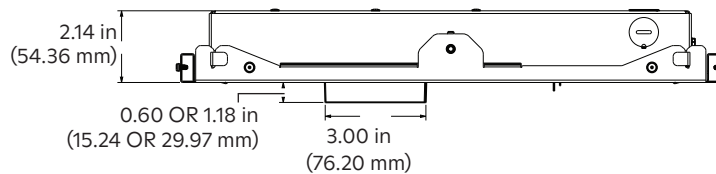
**Adjustable**



**Fixed**



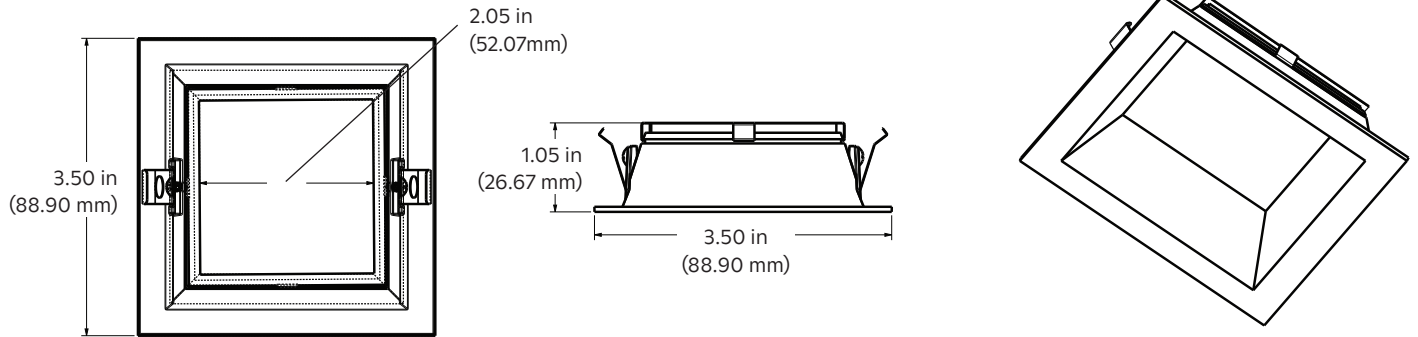
**Wall Wash**



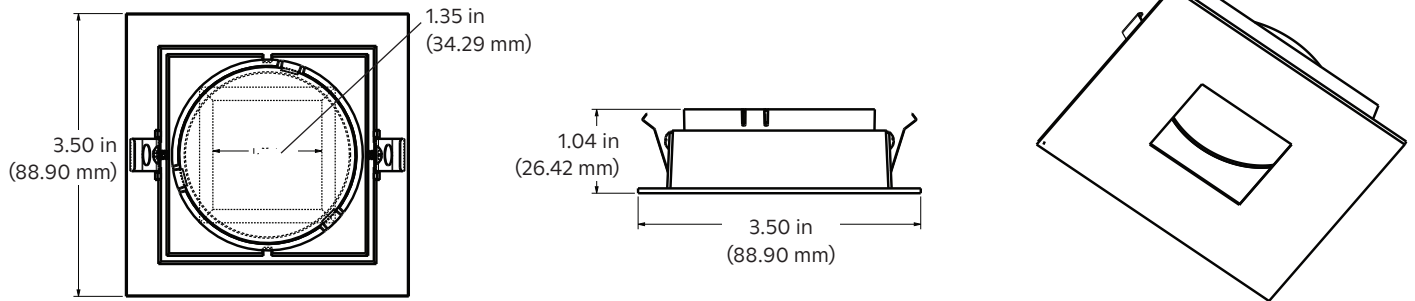


**PRODUCT DIMENSIONS (cont.)**

**Flanged Bevel Trim, Square**



**Flanged Pinhole Trim, Square**

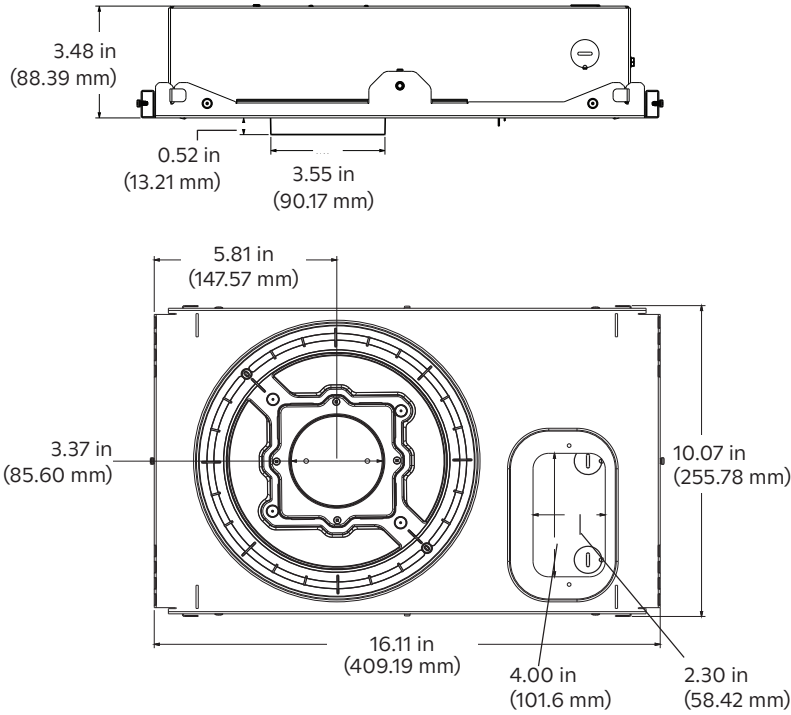


**D2 FIXTURE**

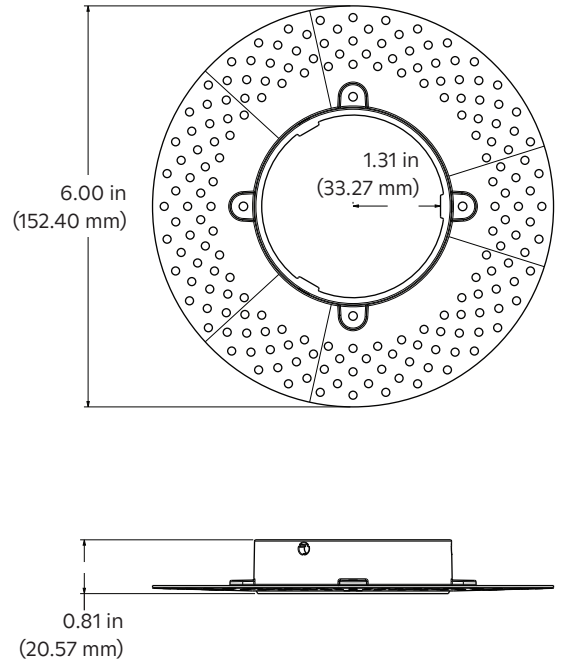
**PRODUCT DIMENSIONS (cont.)**

**Flangeless Mud-In Housing, Round**

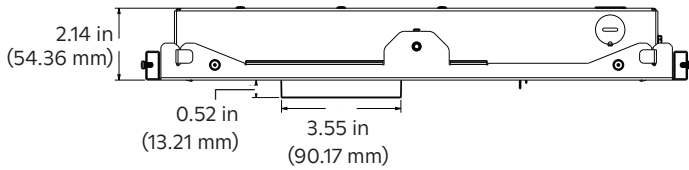
**Adjustable**



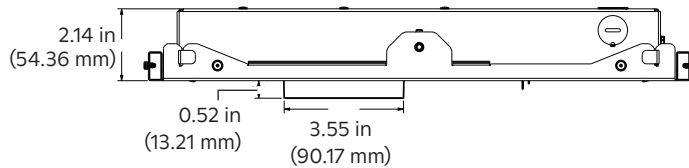
**Flangeless Mud-In Trim Retainer, Round**



**Fixed**



**Wall Wash**

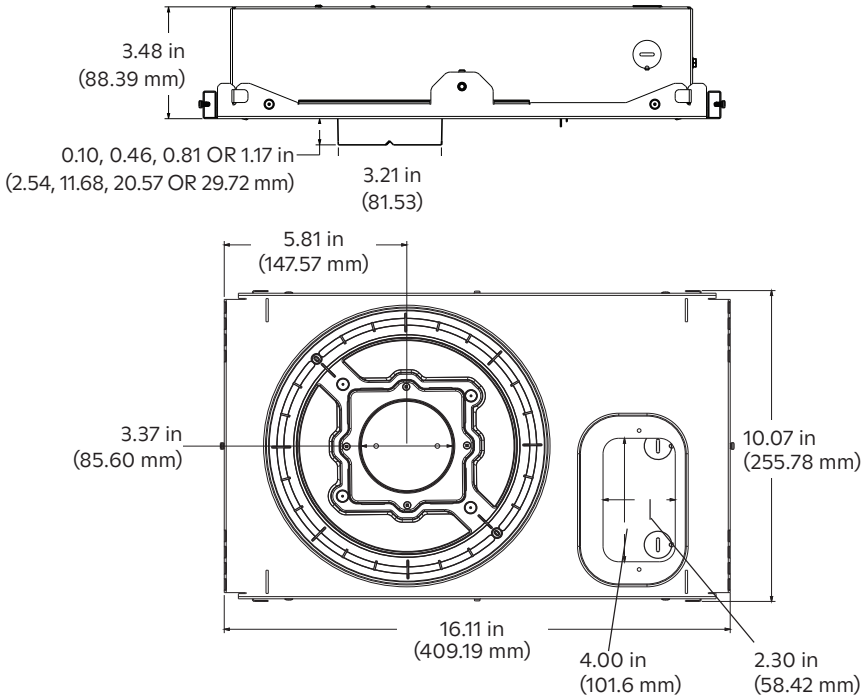


**D2 FIXTURE**

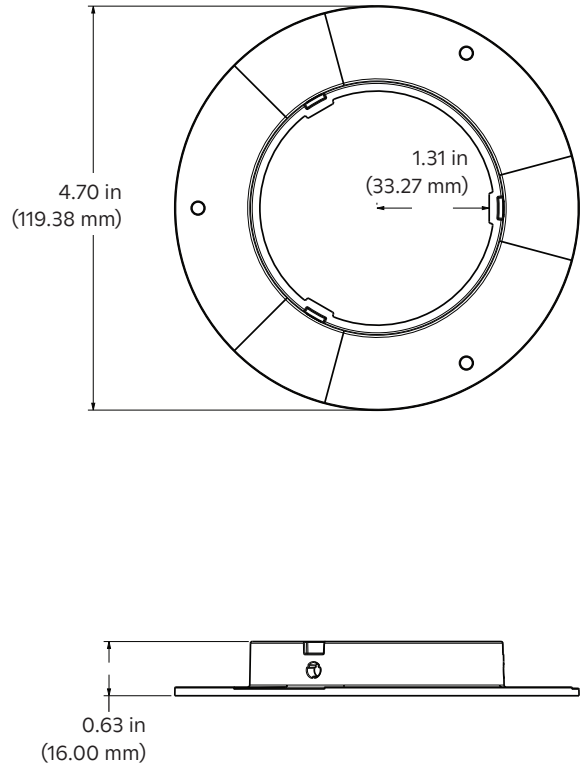
**PRODUCT DIMENSIONS (cont.)**

**Flangeless Millwork Housing, Round**

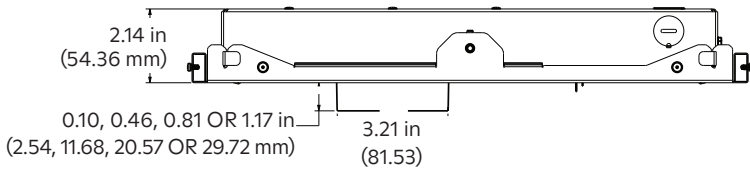
**Adjustable**



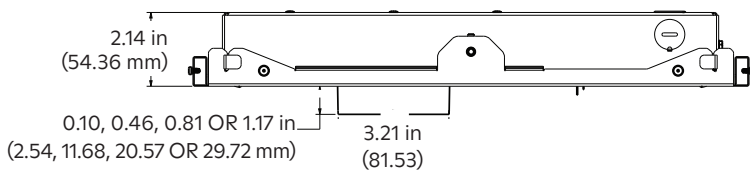
**Flangeless Millwork Trim Retainer, Round**



**Fixed**

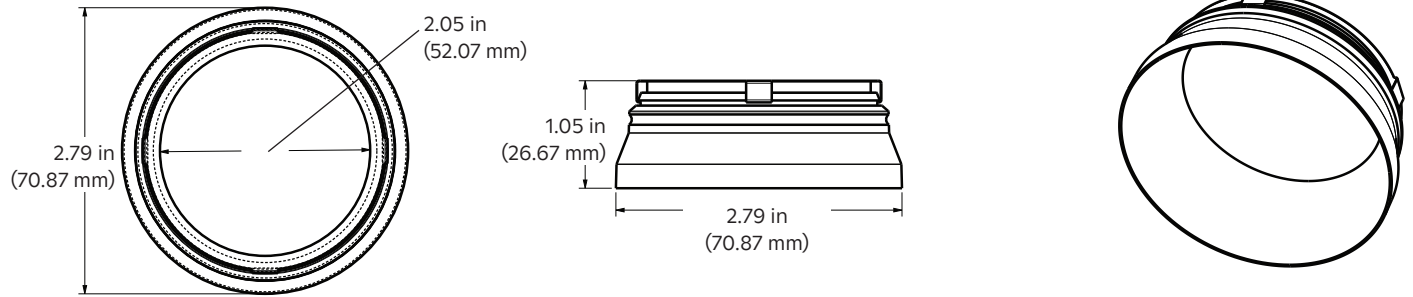


**Wall Wash**

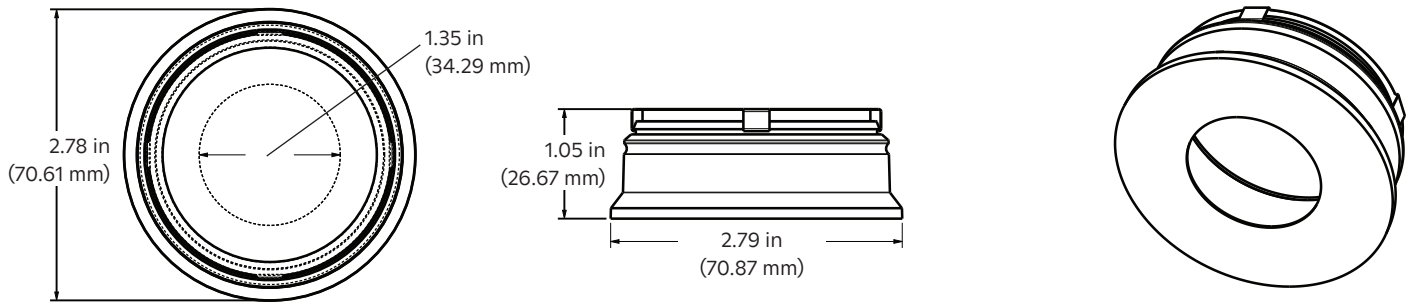


**PRODUCT DIMENSIONS (cont.)**

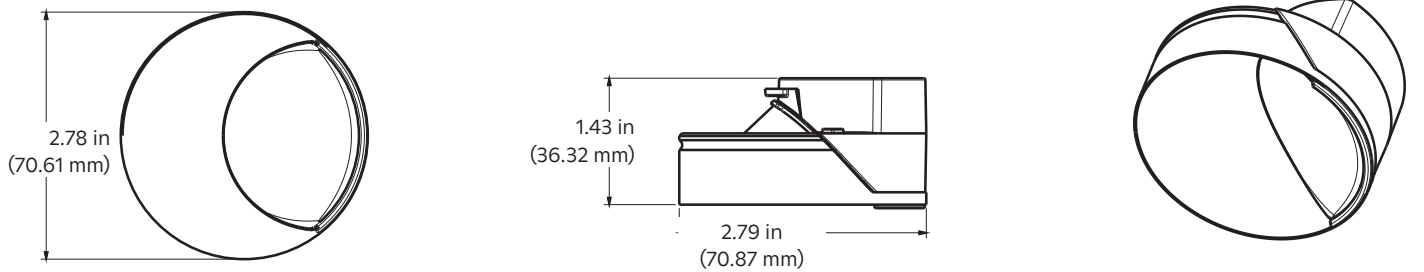
**Flangeless Bevel Trim, Round**



**Flangeless Pinhole Trim, Round**



**Flangeless Wall Wash Trim, Round**

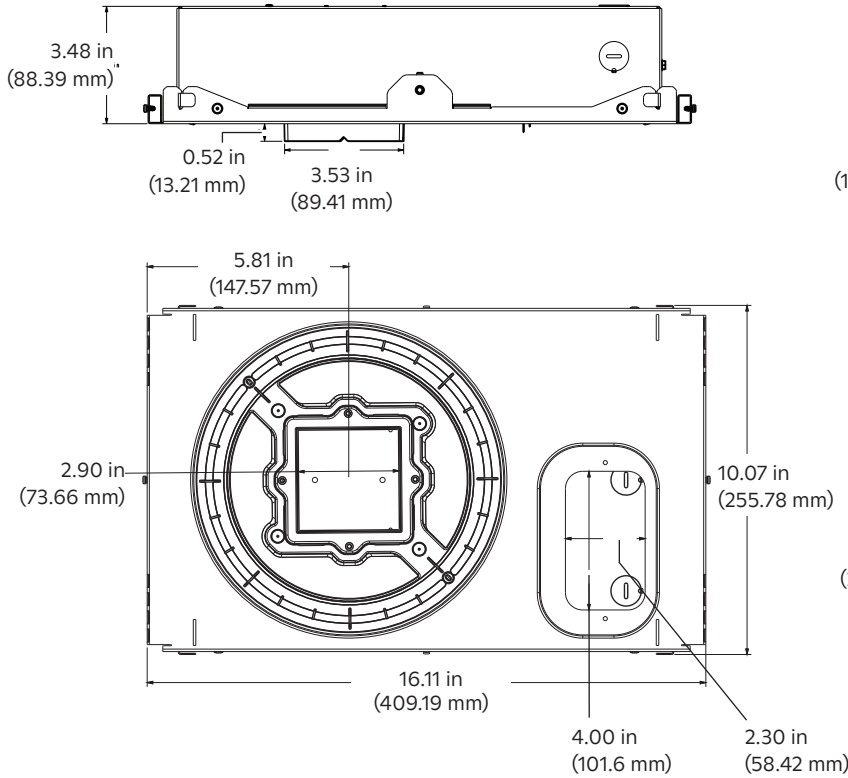


**D2 FIXTURE**

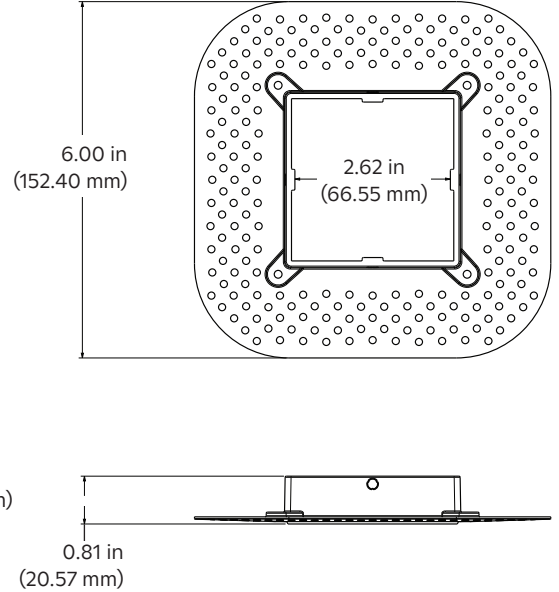
**PRODUCT DIMENSIONS (cont.)**

**Flangeless Mud-In Housing, Square**

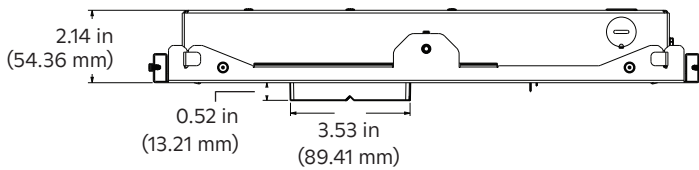
**Adjustable**



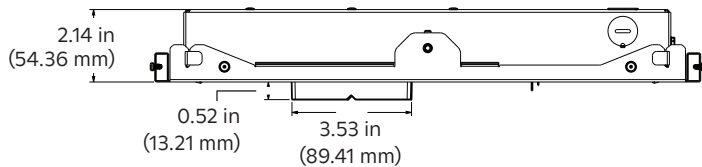
**Flangeless Mud-In Trim Retainer, Square**



**Fixed**



**Wall Wash**

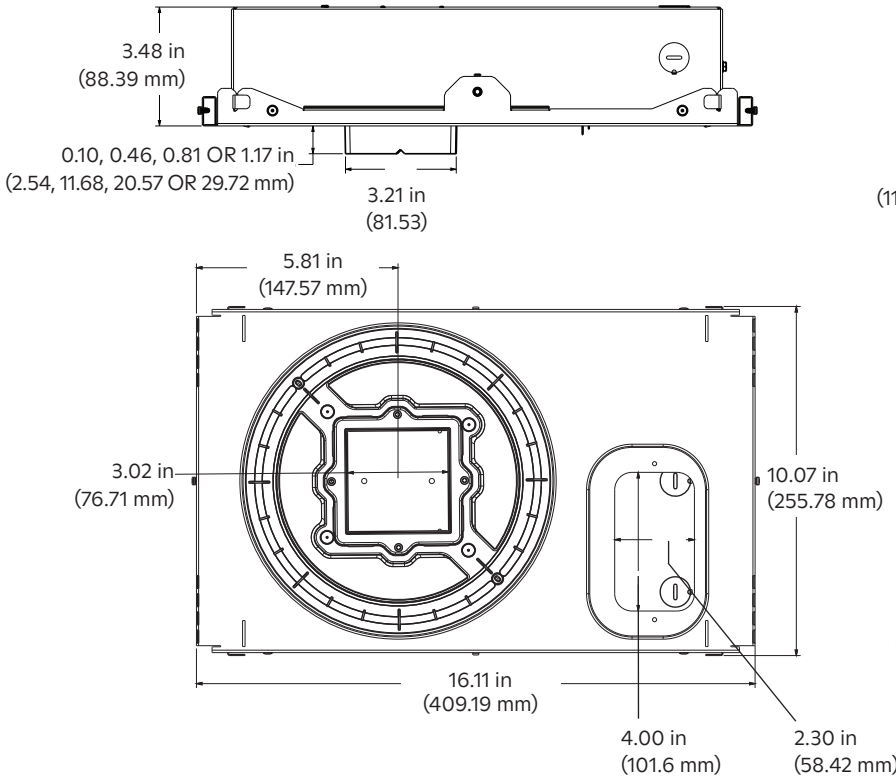


**D2 FIXTURE**

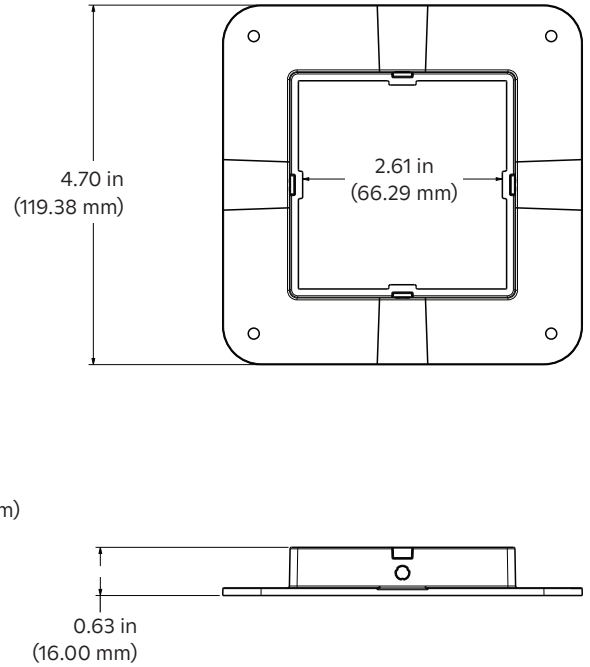
**PRODUCT DIMENSIONS (cont.)**

**Flangeless Millwork Housing, Square**

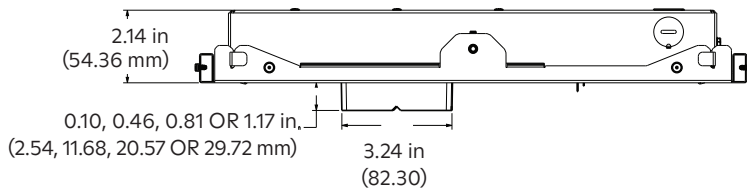
**Adjustable**



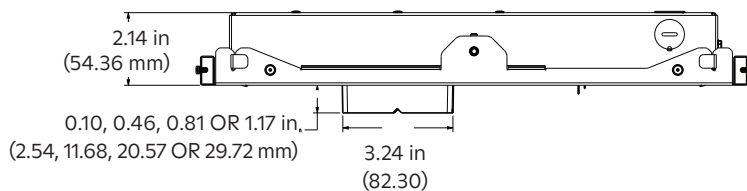
**Flangeless Millwork Trim Retainer, Square**



**Fixed**

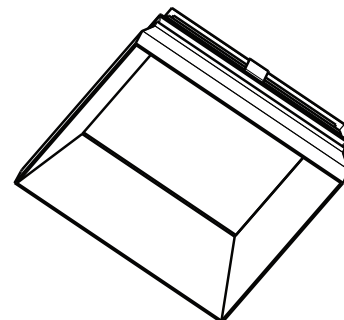
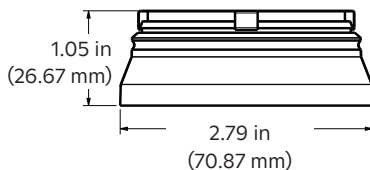
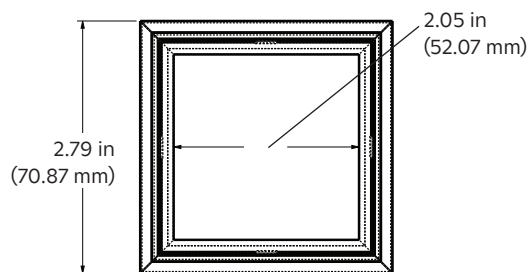


**Wall Wash**

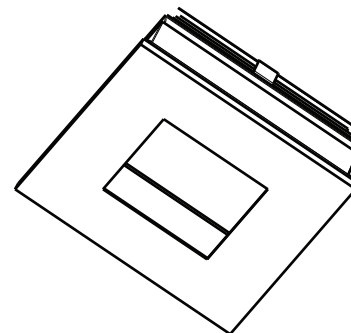
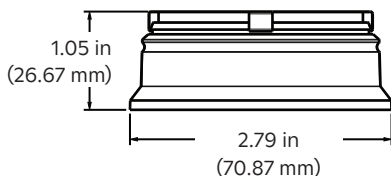
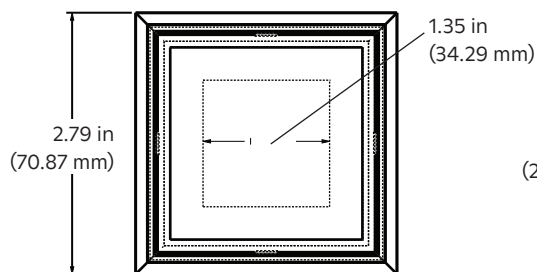


**PRODUCT DIMENSIONS (cont.)**

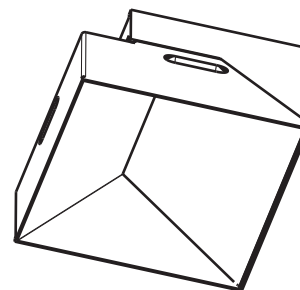
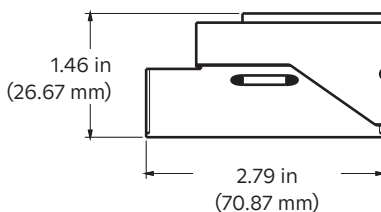
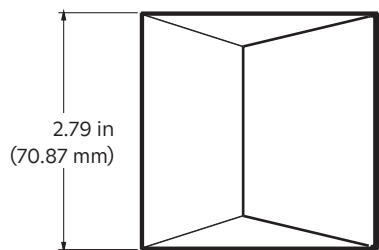
**Flangeless Bevel Trim, Square**



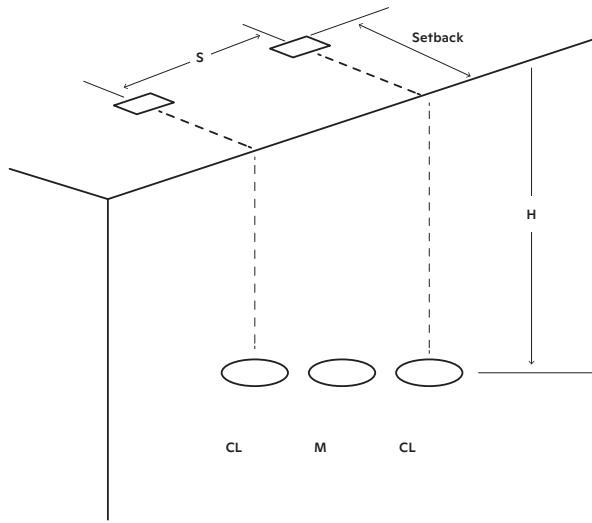
**Flangeless Pinhole Trim, Square**



**Flangeless Wall Wash Trim, Square**



**PLACEMENT GUIDE FOR MULTIPLE WALL WASH UNITS**



**Typical Footcandles Measured on the Wall**

Distance from Ceiling (H)	2 ft (0.6 m) from wall ("Setback")			2 ft (0.6 m) on Center (S)			3 ft (0.9 m) on Center (S)			4 ft (1.2 m) on Center (S)		
	CL	M	CL	CL	M	CL	CL	M	CL	CL	M	CL
1 ft (0.305 m)	34	32	34	26	18	26	24	10	24	24	10	24
2 ft (0.609 m)	36	37	36	27	23	27	23	13	23	23	13	23
3 ft (0.914 m)	30	30	30	21	19	21	18	13	18	18	13	18
4 ft (1.219 m)	23	23	23	16	15	16	14	11	14	14	11	14
5 ft (1.524 m)	17	18	17	12	12	12	10	8	10	10	8	10
6 ft (1.828 m)	14	14	14	10	10	10	8	7	8	8	7	8
7 ft (2.133 m)	11	11	11	7	7	7	6	6	6	6	6	6
8 ft (2.438 m)	8	8	8	6	6	6	5	5	5	5	5	5
9 ft (2.743 m)	6	6	6	5	5	5	4	4	4	4	4	4
10 ft (3.048 m)	6	6	6	4	4	4	3	3	3	3	3	3

Distance from Ceiling (H)	3 ft (0.9 m) from wall ("Setback")			2 ft (0.6 m) on Center (S)			3 ft (0.9 m) on Center (S)			4 ft (1.2 m) on Center (S)		
	CL	M	CL	CL	M	CL	CL	M	CL	CL	M	CL
1 ft (0.305 m)	15	15	15	10	10	10	8	6	8	8	6	8
2 ft (0.609 m)	23	23	23	16	15	16	13	11	13	13	11	13
3 ft (0.914 m)	23	23	23	16	16	16	13	11	13	13	11	13
4 ft (1.219 m)	20	20	20	15	15	15	11	11	11	11	11	11
5 ft (1.524 m)	17	17	17	12	12	12	10	9	10	10	9	10
6 ft (1.828 m)	15	15	15	11	11	11	8	8	8	8	8	8
7 ft (2.133 m)	12	11	12	9	9	9	6	6	6	6	6	6
8 ft (2.438 m)	10	10	10	7	7	7	6	6	6	6	6	6
9 ft (2.743 m)	8	8	8	6	6	6	5	5	5	5	5	5
10 ft (3.048 m)	7	6	7	6	6	6	4	4	4	4	4	4



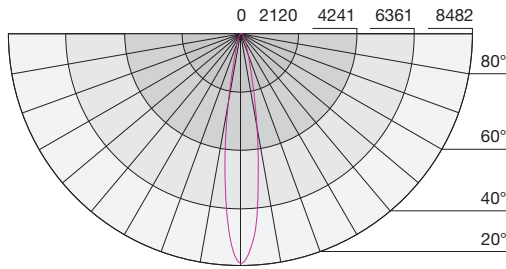
**D2 FIXTURE**

**PHOTOMETRIC DATA<sup>1</sup>**

**Beam Angle: 15° Spot, Low Glare**

Model Number	Wattage	Delivered Lumens	CBCP
XX-D2-TWFXRDFS18GT15L-XXXX	18 W	1018	8482

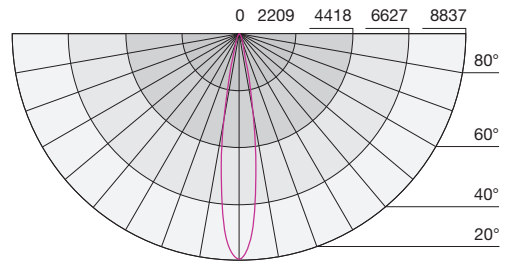
Foot-candles	Distance From Light	Beam Dia.
236	6 ft (1.8 m)	1.58 ft (0.48 m)
133	8 ft (2.4 m)	2.11 ft (0.64 m)
85	10 ft (3 m)	2.63 ft (0.80 m)
59	12 ft (3.7 m)	3.16 ft (0.96 m)
43	14 ft (4.3 m)	3.69 ft (1.12 m)



**Beam Angle: 15° Spot, High Output**

Model Number	Wattage	Delivered Lumens	CBCP
XX-D2-TWFXRDFS18GT15H-XXXX	18 W	1161	8837

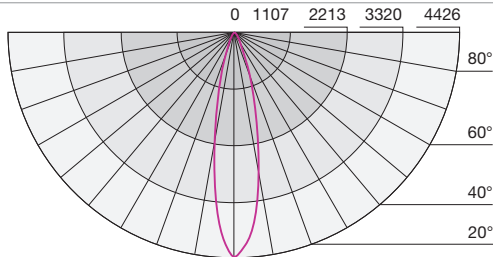
Foot-candles	Distance From Light	Beam Dia.
245	6 ft (1.8 m)	1.58 ft (0.48 m)
138	8 ft (2.4 m)	2.11 ft (0.64 m)
88	10 ft (3 m)	2.63 ft (0.80 m)
61	12 ft (3.7 m)	3.16 ft (0.96 m)
45	14 ft (4.3 m)	3.69 ft (1.12 m)



**Beam Angle: 25° Spot, Low Glare**

Model Number	Wattage	Delivered Lumens	CBCP
XX-D2-TWFXRDFS18GT25L-XXXX	18 W	1040	4426

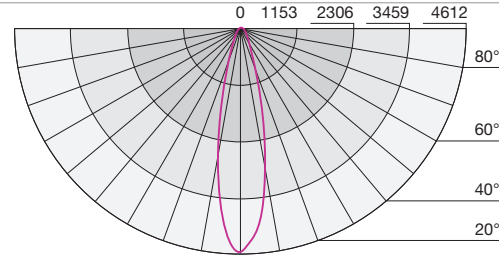
Foot-candles	Distance From Light	Beam Dia.
123	6 ft (1.8 m)	2.66 ft (0.81 m)
69	8 ft (2.4 m)	3.55 ft (1.08 m)
44	10 ft (3 m)	4.43 ft (1.35 m)
31	12 ft (3.7 m)	5.32 ft (1.62 m)
23	14 ft (4.3 m)	6.21 ft (1.89 m)



**Beam Angle: 25° Spot, High Output**

Model Number	Wattage	Delivered Lumens	CBCP
XX-D2-TWFXRDFS18GT25H-XXXX	18 W	1151	4612

Foot-candles	Distance From Light	Beam Dia.
128	6 ft (1.8 m)	2.66 ft (0.81 m)
72	8 ft (2.4 m)	3.55 ft (1.08 m)
46	10 ft (3 m)	4.43 ft (1.35 m)
32	12 ft (3.7 m)	5.32 ft (1.62 m)
24	14 ft (4.3 m)	6.21 ft (1.89 m)



<sup>1</sup> All data is simulated to represent the typical performance expected with the following parameters: 1 in (25.4 mm) white trim, with light engine at nadir, at 3000 K, 25 °C ambient, 100% power input, default vibrancy, unless otherwise stated.

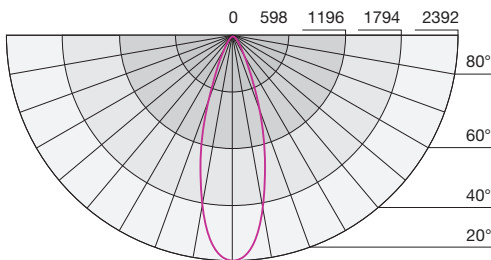
**PHOTOMETRIC DATA<sup>1</sup> (cont.)**

**Beam Angle: 40° Wide Flood, Low Glare**

Model Number	Wattage	Delivered Lumens	CBCP
XX-D2-TWFXRDFS18GT40L-XXXX	18 W	884	2392

Foot-candles	Beam Dia.
66	6 ft (1.8 m) / 4.37 ft (1.33 m)
37	8 ft (2.4 m) / 5.82 ft (1.77 m)
24	10 ft (3 m) / 7.28 ft (2.21 m)
17	12 ft (3.7 m) / 8.74 ft (2.66 m)
12	14 ft (4.3 m) / 10.19 ft (3.11 m)

Distance From Light

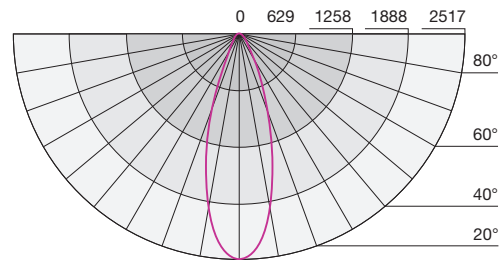


**Beam Angle: 40° Wide Flood, High Output**

Model Number	Wattage	Delivered Lumens	CBCP
XX-D2-TWFXRDFS18GT40H-XXXX	18 W	1078	2517

Foot-candles	Beam Dia.
70	6 ft (1.8 m) / 4.37 ft (1.33 m)
39	8 ft (2.4 m) / 5.82 ft (1.77 m)
25	10 ft (3 m) / 7.28 ft (2.21 m)
17	12 ft (3.7 m) / 8.74 ft (2.66 m)
13	14 ft (4.3 m) / 10.19 ft (3.11 m)

Distance From Light

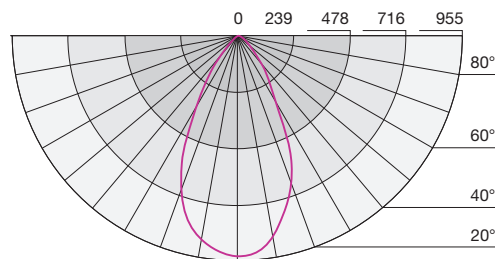


**Beam Angle: 60° Very Wide Flood, Low Glare**

Model Number	Wattage	Delivered Lumens	CBCP
XX-D2-TWFXRDFS18GT60L-XXXX	18 W	856	955

Foot-candles	Beam Dia.
27	6 ft (1.8 m) / 6.93 ft (2.11 m)
15	8 ft (2.4 m) / 9.24 ft (2.82 m)
10	10 ft (3 m) / 11.55 ft (3.52 m)
7	12 ft (3.7 m) / 13.86 ft (4.22 m)
5	14 ft (4.3 m) / 16.17 ft (4.93 m)

Distance From Light

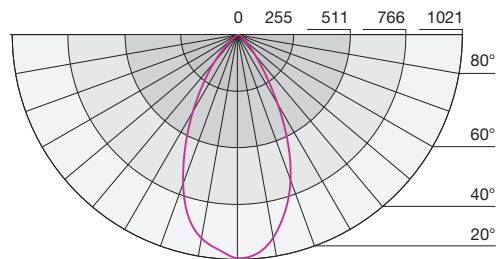


**Beam Angle: 60° Very Wide Flood, High Output**

Model Number	Wattage	Delivered Lumens	CBCP
XX-D2-TWFXRDFS18GT60H-XXXX	18 W	1018	1021

Foot-candles	Beam Dia.
28	6 ft (1.8 m) / 6.93 ft (2.11 m)
16	8 ft (2.4 m) / 9.24 ft (2.82 m)
10	10 ft (3 m) / 11.55 ft (3.52 m)
7	12 ft (3.7 m) / 13.86 ft (4.22 m)
5	14 ft (4.3 m) / 16.17 ft (4.93 m)

Distance From Light



<sup>1</sup> All data is simulated to represent the typical performance expected with the following parameters: 1 in (25.4 mm) white trim, with light engine at nadir, at 3000 K, 25 °C ambient, 100% power input, default vibrancy, unless otherwise stated.

## D2 General Specifications

Rania's D2 LED Downlight can easily be commissioned into Lutron HomeWorks or Athena systems.

**Wireless Capability:** LED light source shall have an integrated wireless control on board.

**Color Rendering Index (CRI):** Capable of CRI greater than 90 at any point along the Black Body Curve from 2,700K to 5,000K.

**Single Source Multi-Die Modular Emitter/LED Module Design:** Employ a single source multi-die modular emitter/LED module consisting of LEDs binned to 3-step MacAdam ellipses.

**LED Estimated Useful Life:** Minimum of 50,000 hours at 70 percent lumen maintenance, calculated based on IES LM-80 test data.

**Diagnostic reporting capability<sup>1</sup>:** Clear Connect-Type X (CCX) light sources provide diagnostics and built-in technology to check input voltage and wireless connectivity.

**Warranty:** Lutron's light source is warrantied to be free from defects in material and workmanship for five ( 5 ) years or 25,000 hours from date of shipment, whichever is less.

### Lighting System Capable of the Following Dimming Functionality:

1. Automatically mimicking natural daylight by shifting Correlated Color Temperature (CCT) and intensity based on time-of-day.
2. Shifting from high CCT at high intensity to low CCT at low intensity, mimicking dimming curve of an incandescent lamp.

**Dimming Range:** Dimmable from 100 to 0.1 percent measured luminous flux.

**Color Point Range:** Single light source capable of producing white light from 1,800K to 5,500K Correlated Color Temperature (CCT).

<sup>1</sup> For diagnostics support or more information, please contact Lighting Technical Support at [lightingsupport@lutron.com](mailto:lightingsupport@lutron.com) or 1.844.LUTRON1 (1.844.588.7661).